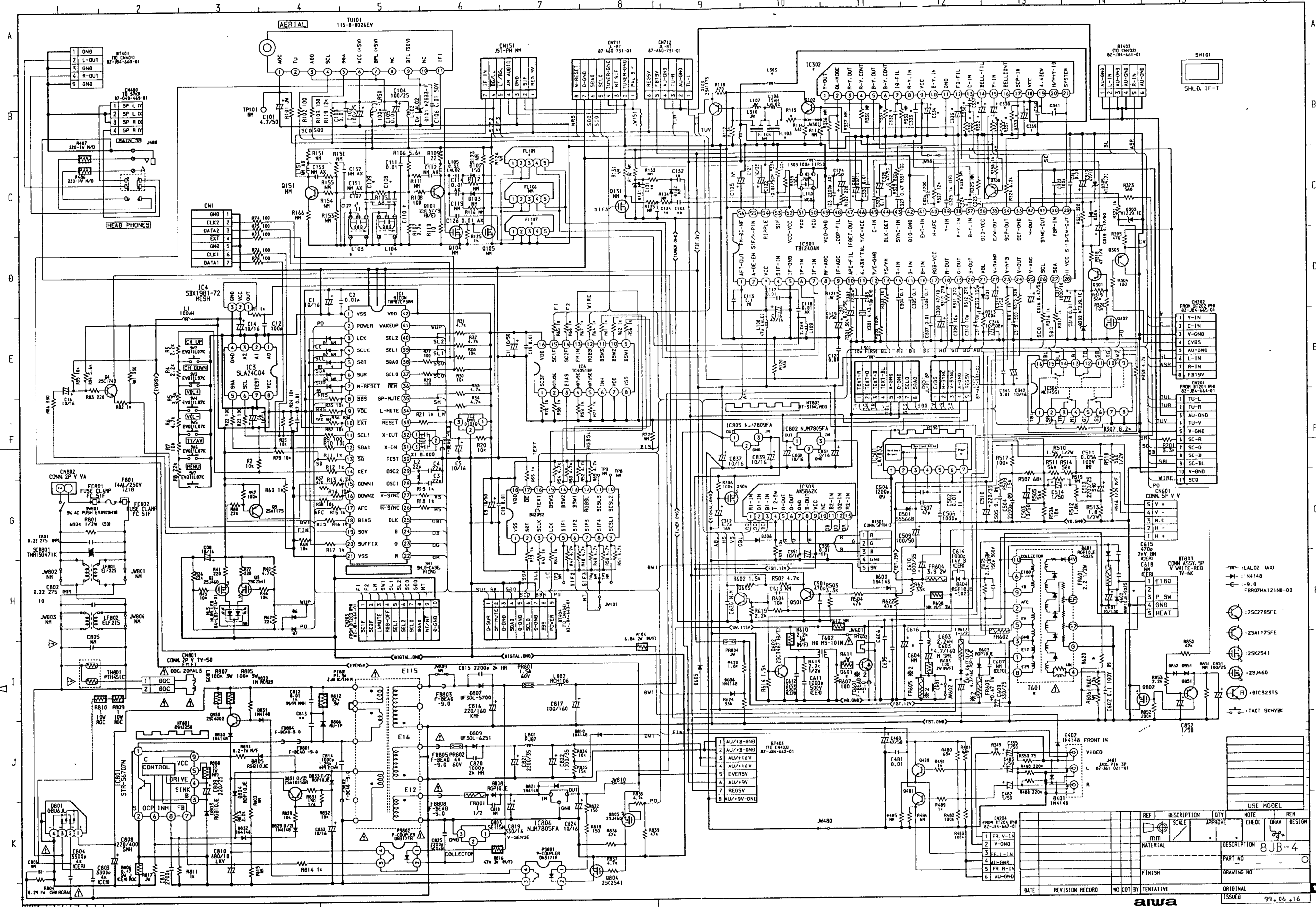


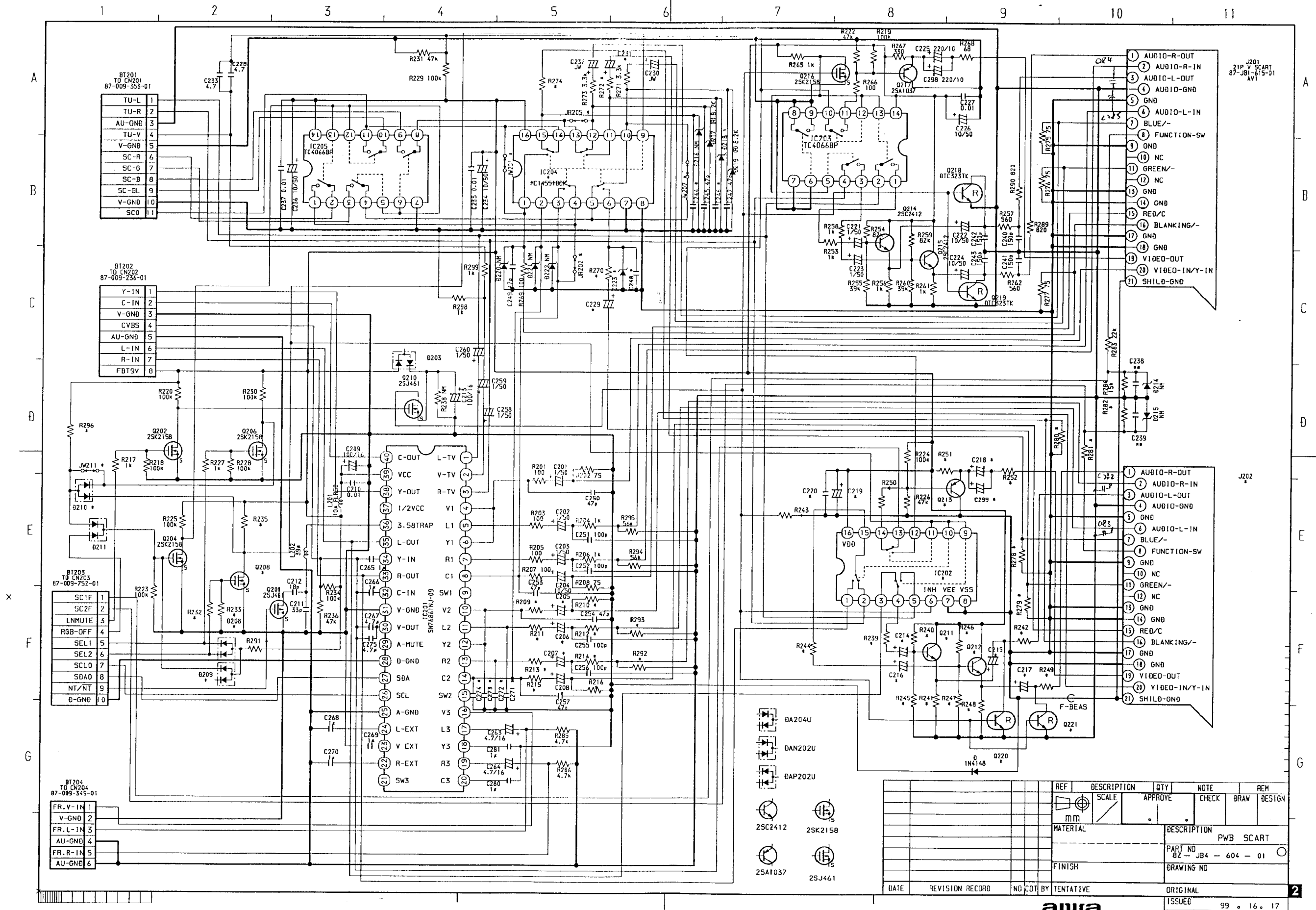
AIWA TV-SE211 SCHEMATIC DIAGRAM_1 (MAIN)

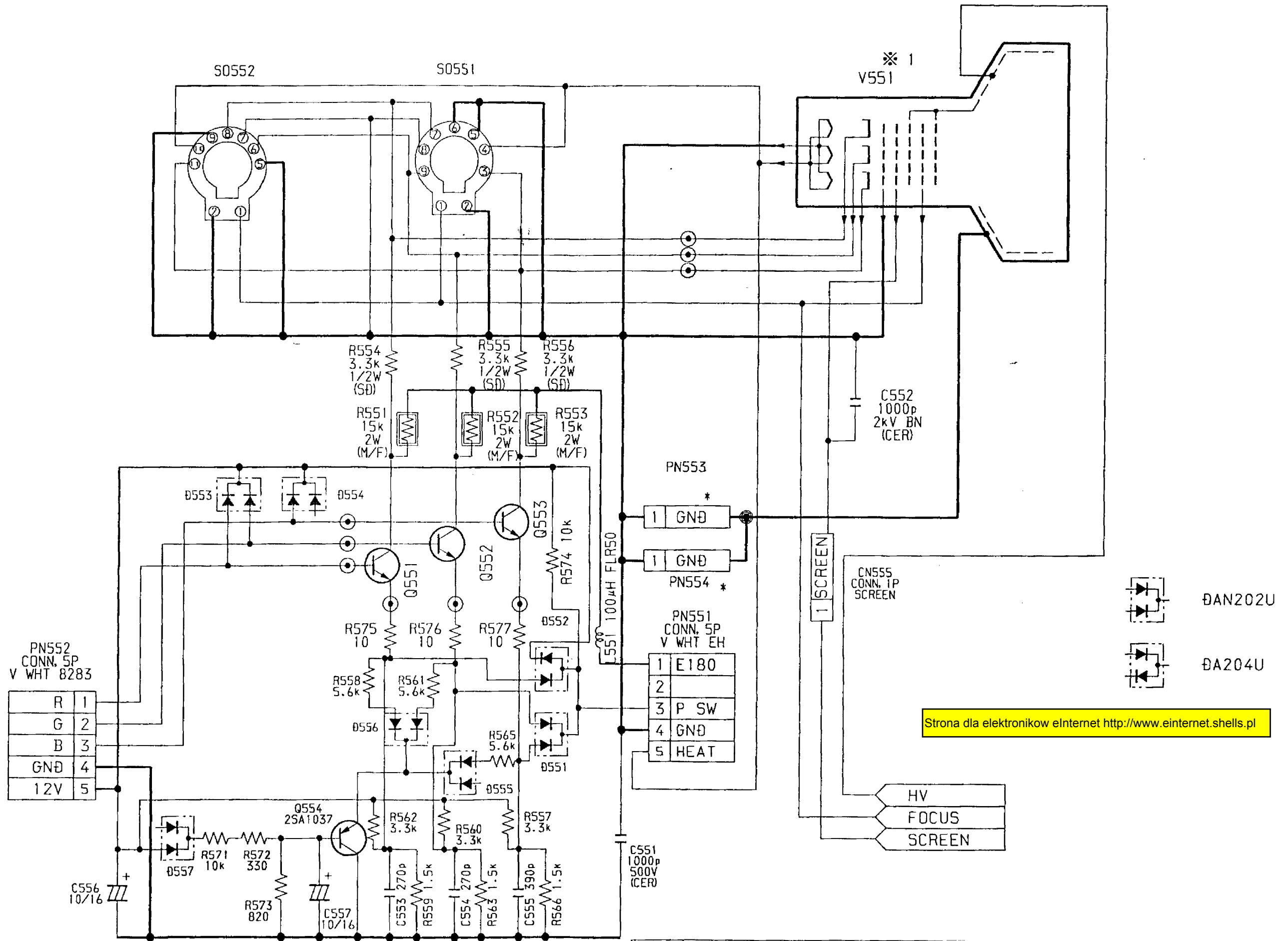


REF	DESCRIPTION	QTY	NOTE	REM
1	FR. V-IN			
2	V-GND			
3	FR. L-IN			
4	AU-GND			
5	FR. R-IN			
6	AU-GND			

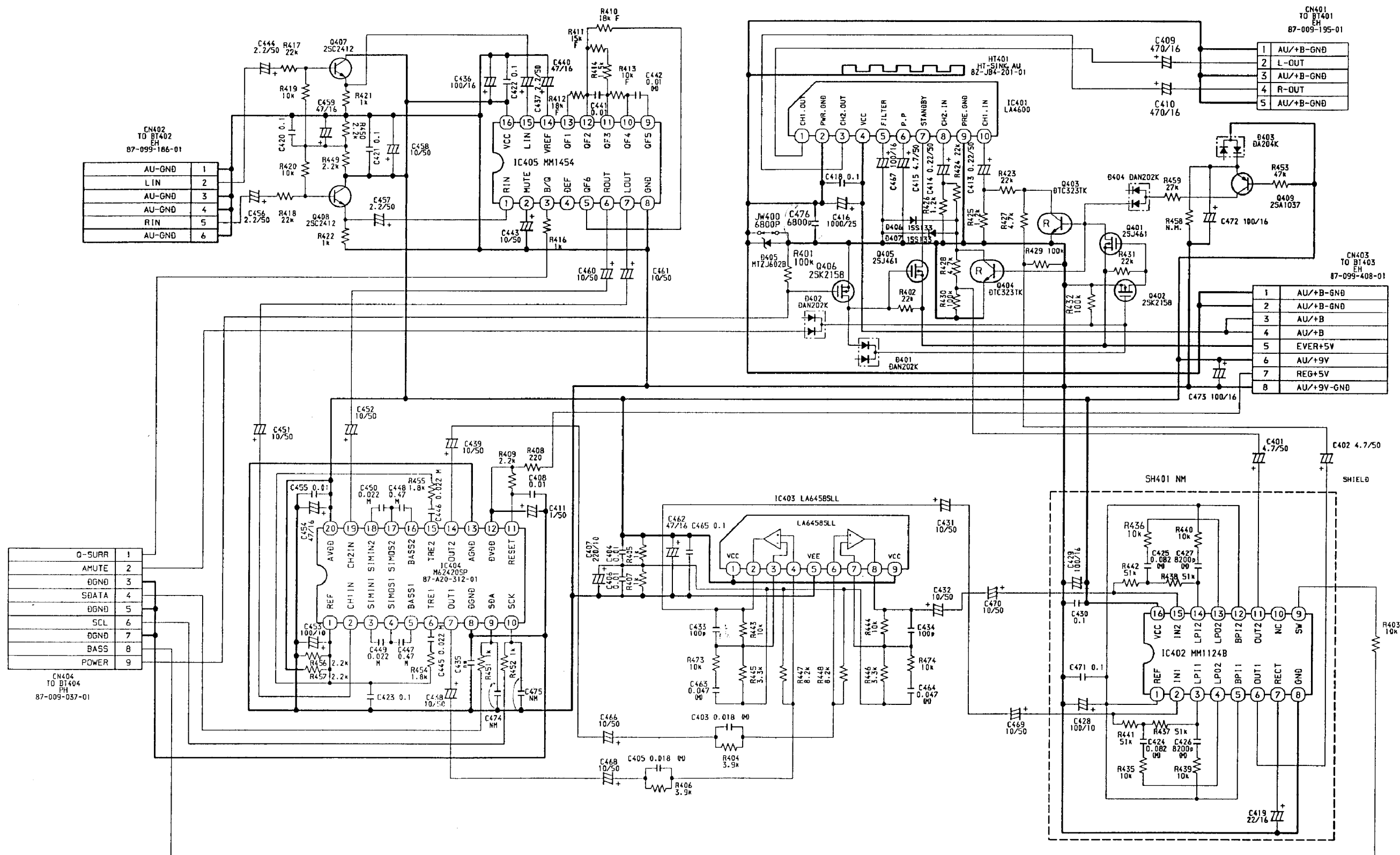
DATE	REVISION	RECORD	NO	BY	TENTATIVE	ORIGINAL

SCHEMATIC DIAGRAM - 2 (SCART)





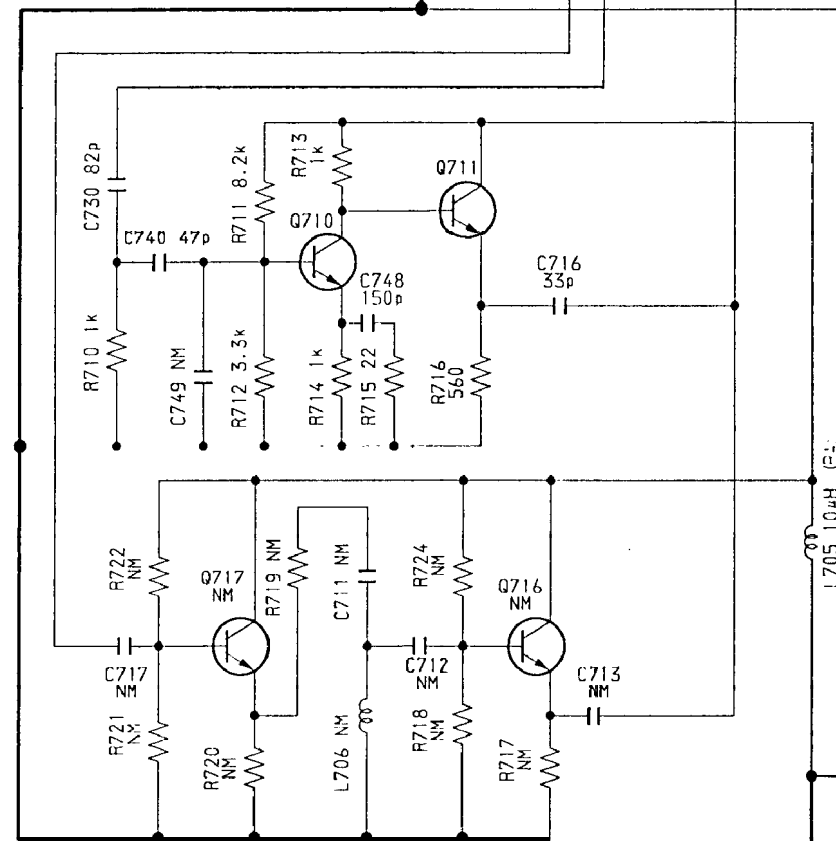
SCHEMATIC DIAGRAM – 4 (AUDIO)



SCHEMATIC DIAGRAM - 5 (NICAM)

CN701
JL-R
87-A60-722-01

PAI SIF IN	1
TUNER-GND	2
NT SIF IN	3
TUNER-GND	4
SCLO	5
SDAO	6
θ-GND	7
N-RESET	8

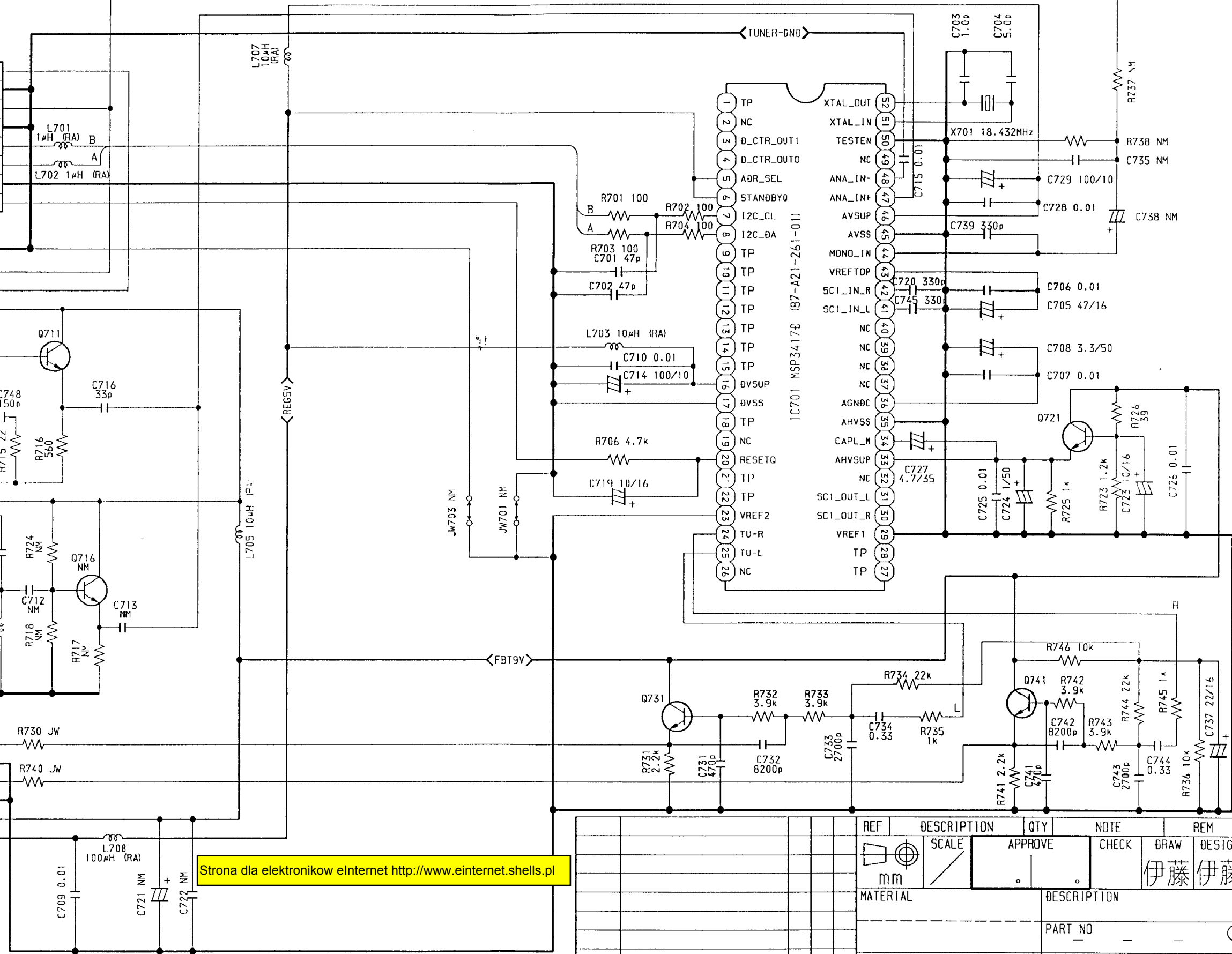


TU-L	1
AU-GND	2
TU-R	3
AU-GND	4
FBT9V	5
REG5V	6

CN702
JL-R
87-A60-720-01



C-TR 25C2412



Strona dla elektronikow eInternet <http://www.einternet.shells.pl>

REF	DESCRIPTION	QTY	NOTE	REM
	SCALE		APPROVE	CHECK
	MATERIAL		DRAW	DESIGN
	FINISH		DESCRIPTION	PART NO
	DATE	REVISION RECORD	DRAWING NO	

A
B
C
D
E
3

SCHEMATIC DIAGRAM - 6 (TEXT)

